

// STRIPWOUND HOSES

Flexible metal double stripwounded hose, polygonal section – no gaskets, labyrinth profile

The labyrinth-like shape of the profile results in a partial sealing of the hose.

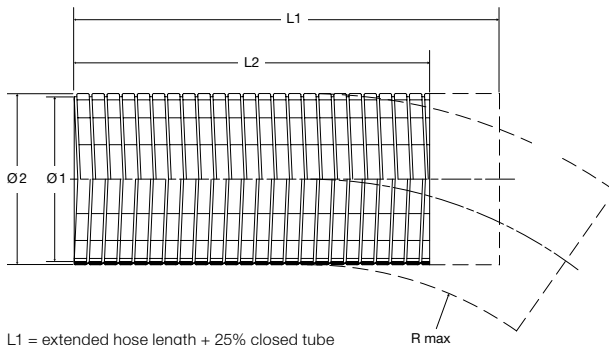
Use: combustion gases exhaust hoses (see Figure 1).

Characteristics: the seamless profile makes the hose resistant to torsional stresses as well as traction and compression axial loads. Like all the hoses of this kind, the main characteristic of these flexible hoses is that they can stretch and shorten axially (by about 25%).

Temperature: up to 700 °C for stainless steel – up to 400 °C for galvanized steel.

Applications: lorries, cars, industrial vehicles, farm machinery, diesel-generators, conveying granular substances systems, mechanical protection for electric cables.

Other sizes can be evaluated and manufactured upon customers' request.



L1 = extended hose length + 25% closed tube
L2 = compressed hose length

Material: AISI 304 - galvanized steel

DN	Ø 1	Tolerance	Ø 2	Tolerance	R max
mm	mm	mm	mm	mm	mm
30	30	±1	34	±1	230
36	36	±1	40	±1	230
41	41	±1	45	±1	250
46	46	±1	50	±1	280
51	51	±1	55	±1	305
56	56	±1	60	±1	310
61	61	±1	65	±1	330
66	66	±1	70	±1	365
71	71	±1	75	±1	375
76	76	±1	80	±1	385
81	81	±1	85	±1	395
86	86	±1	90	±1	415
91	91	±1	95	±1	435
96	96	±1	100	±1	450
101	101	±1	105	±1	460
111	111	±1	115	±1	530
116	116	±1	120	±1	570
121	121	±1	125	±1	605
126	126	±1	130	±1	625
131	131	±1	135	±1	665
141	141	±1	145	±1	720
150	150	±1	154	±1	805

Supplying length

10 mt long roll complete extended.

Tolerance: 0/+50 cm (open coils)

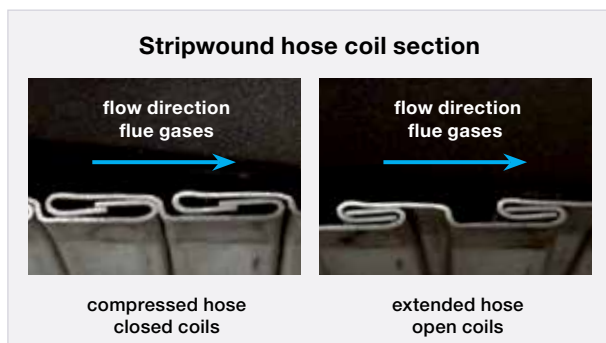


Figure 1